

Sport Bar - Mounting kit

Installation manual

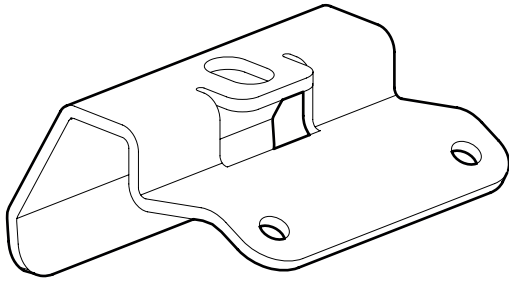


DOWNLOAD PDF



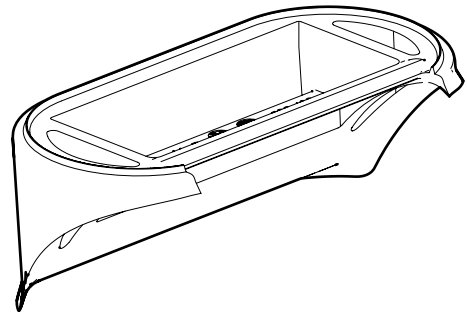
Parts

A



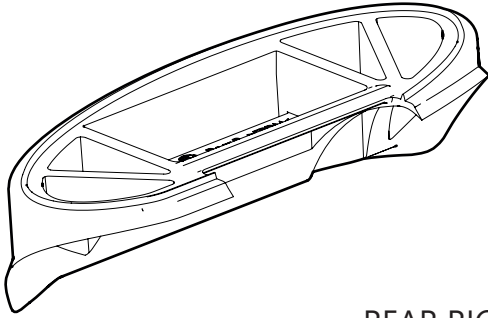
x 4

B



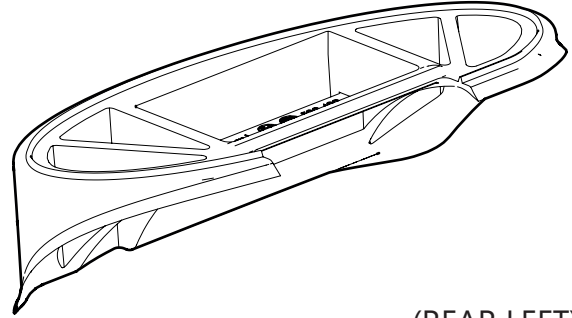
x 2

C



REAR RIGHT x 1

D

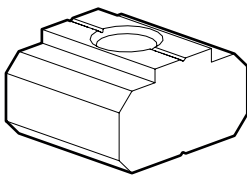


(REAR LEFT) x 1



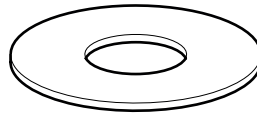
Kit

E



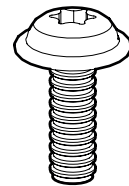
x 8

F



x 8

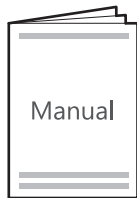
G



x 8



Manual(s)



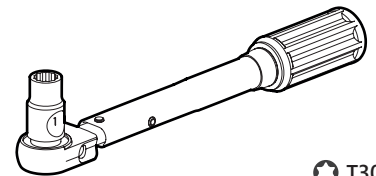
x 1



Tools and materials needed

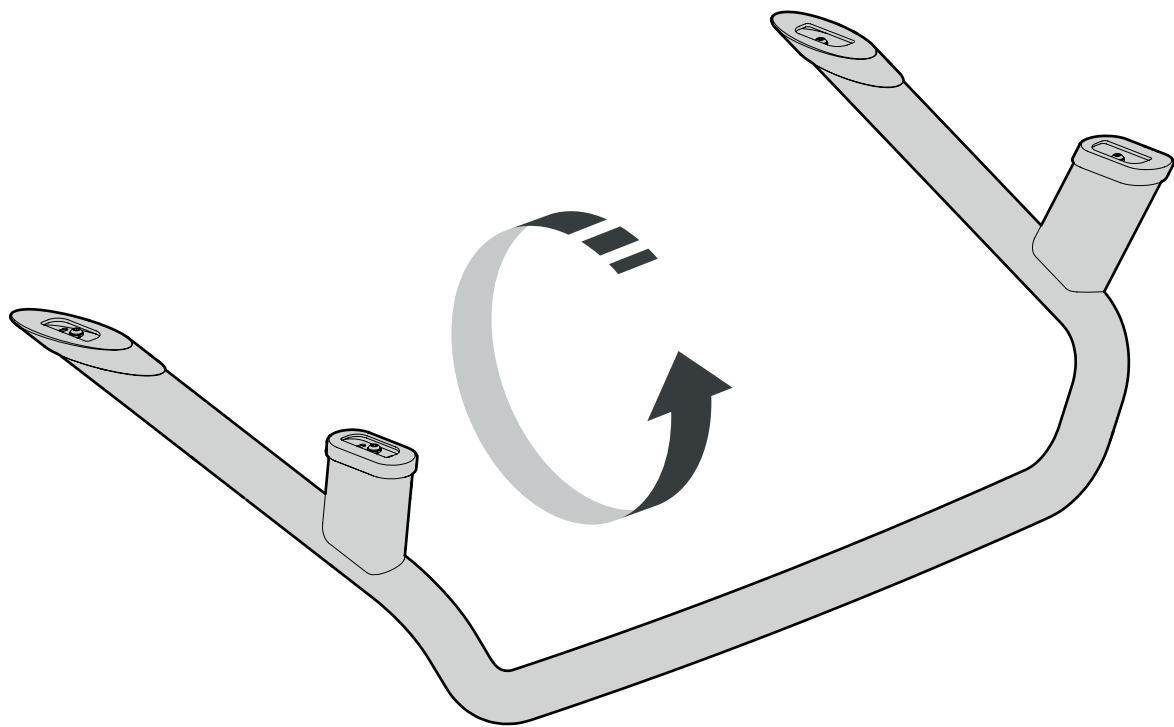


1 - 25 Nm



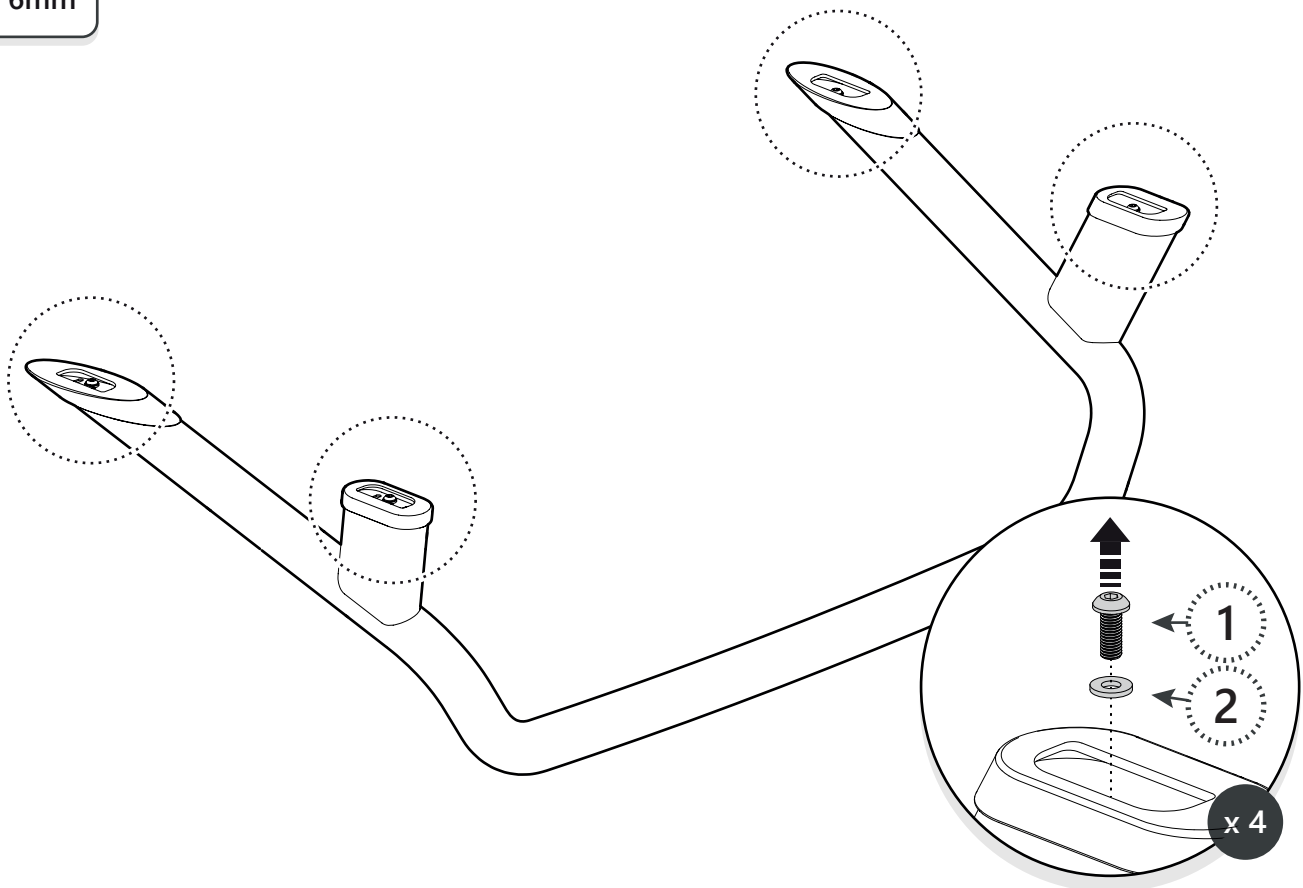
T30
6 mm

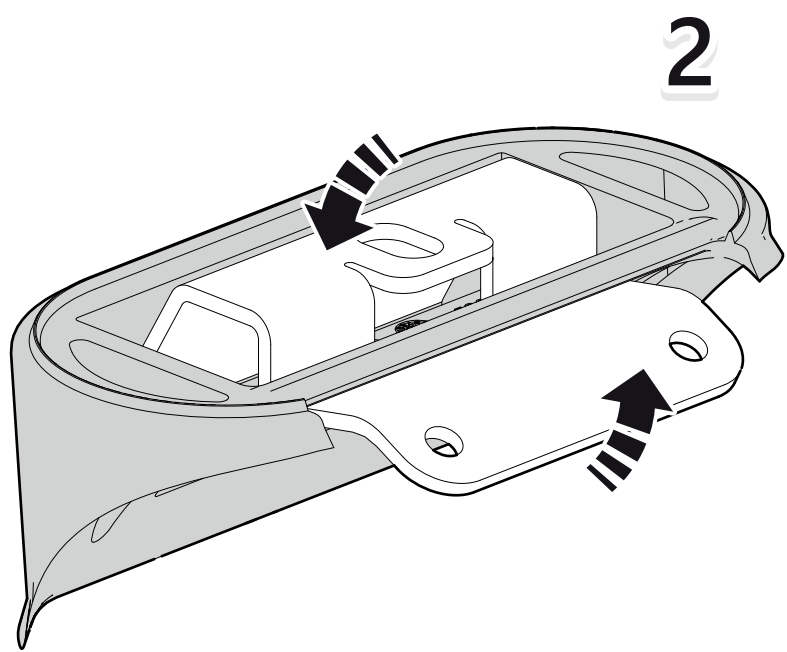
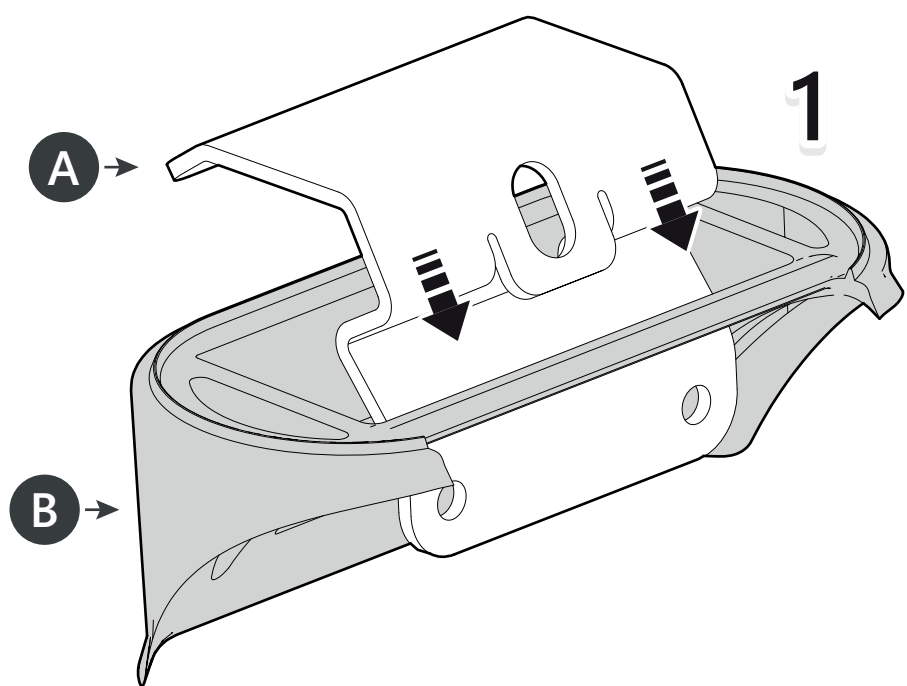
1



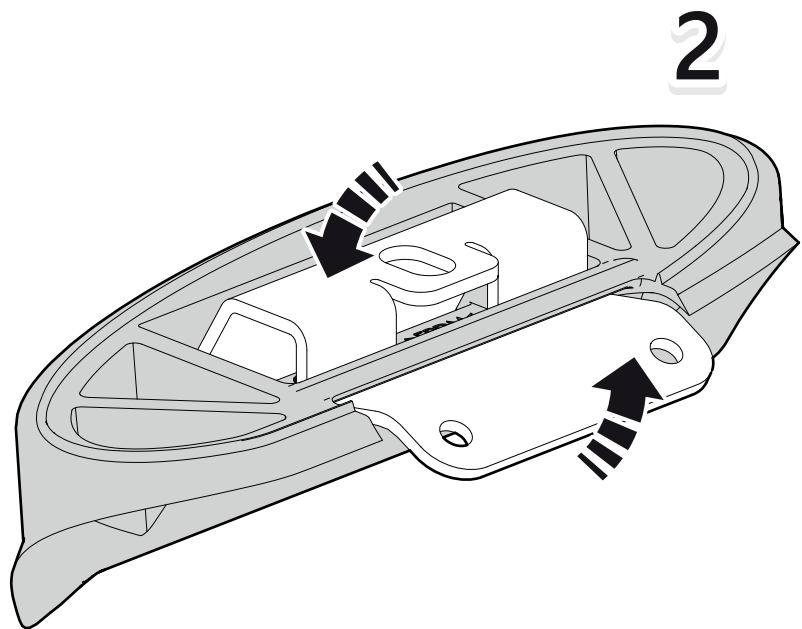
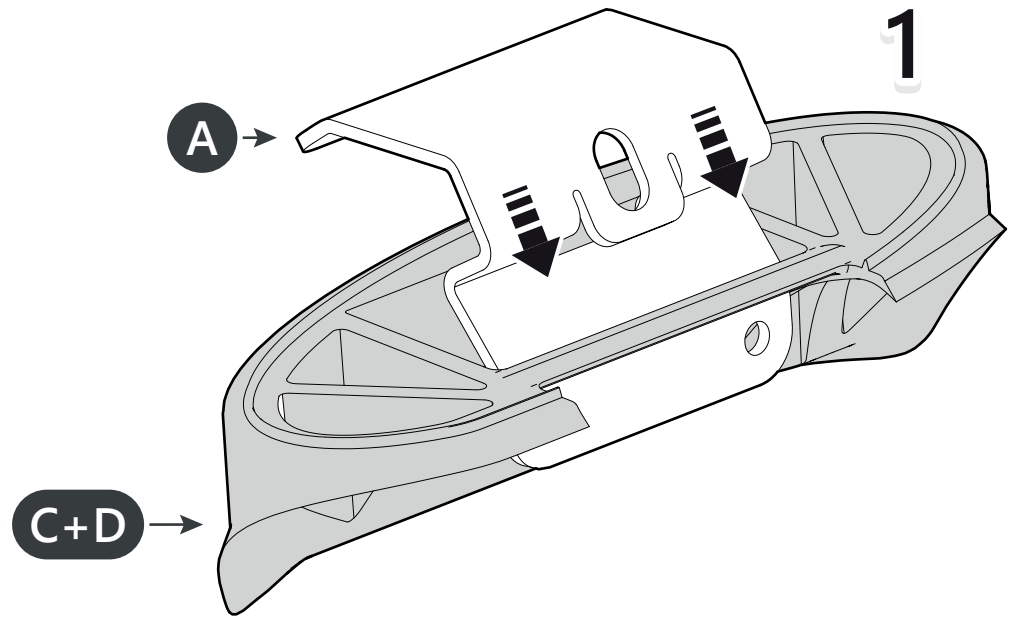
2

6mm



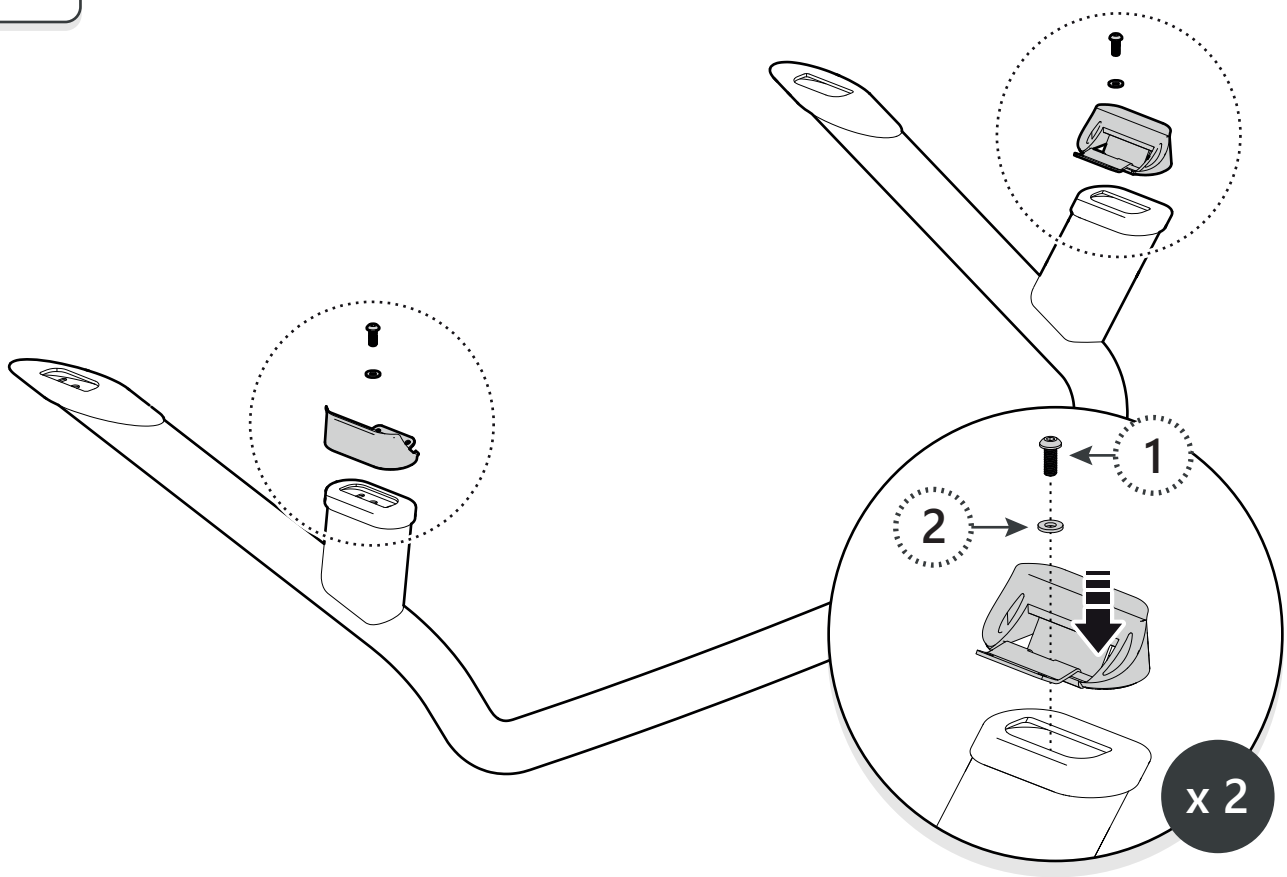


x 2

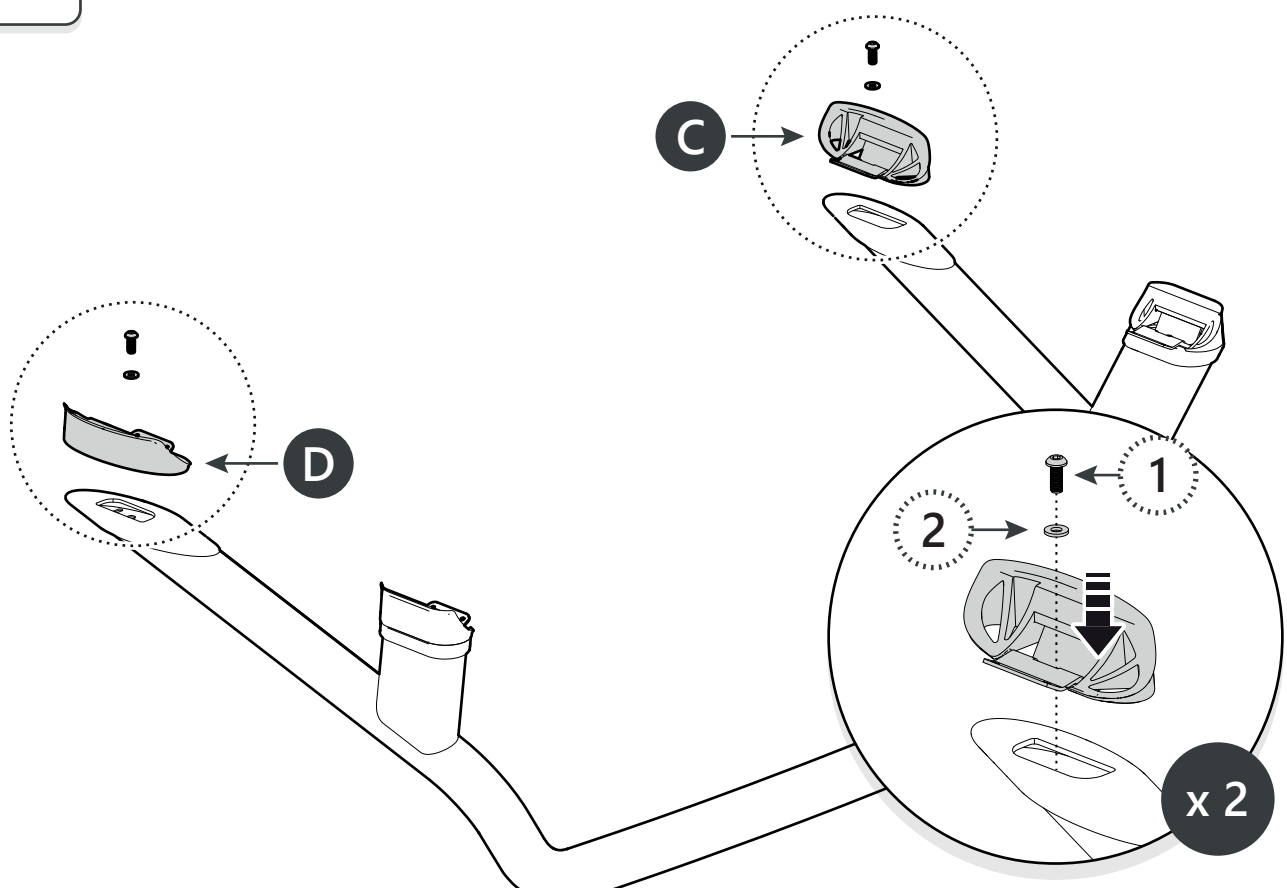


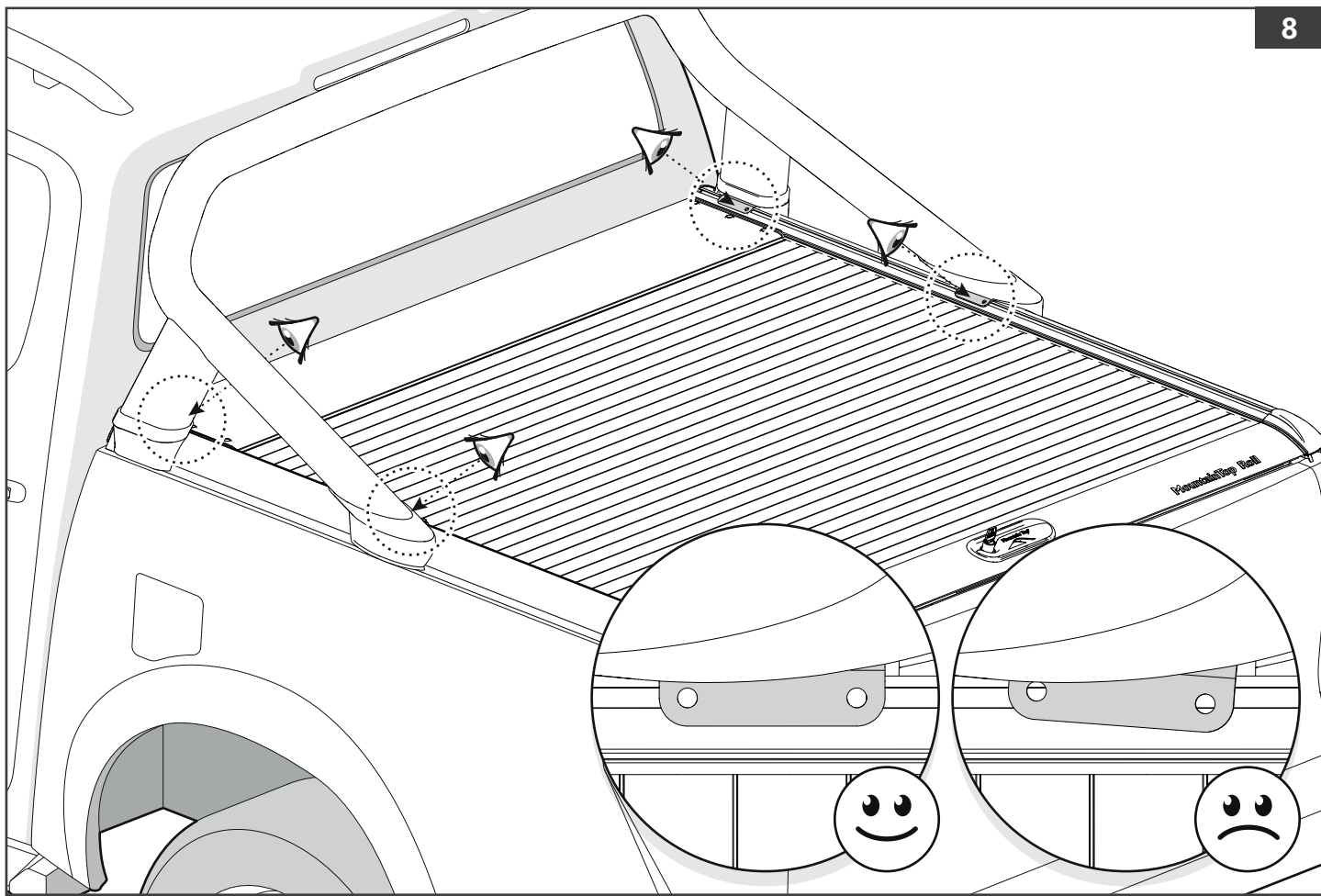
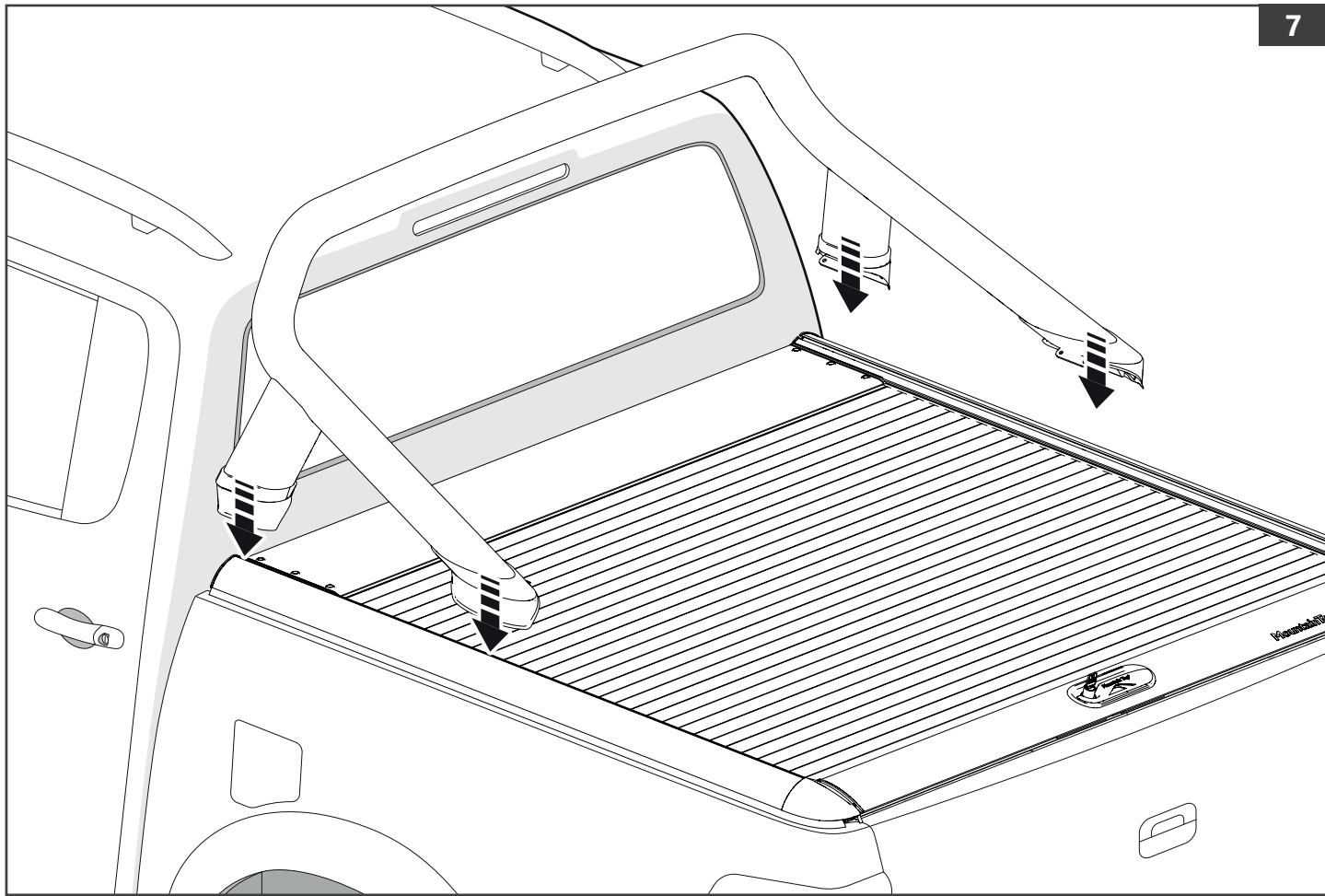
x 2

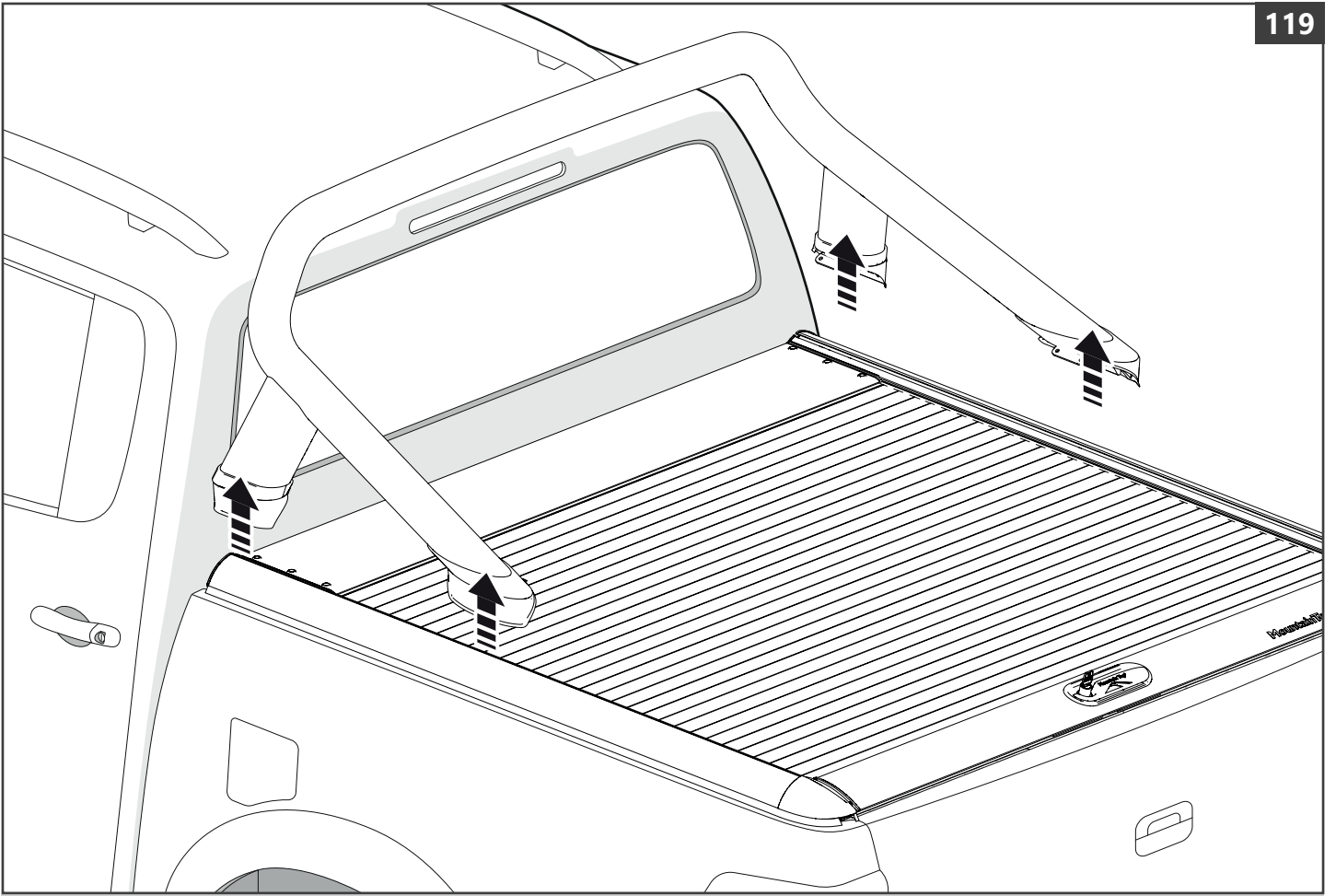
6mm



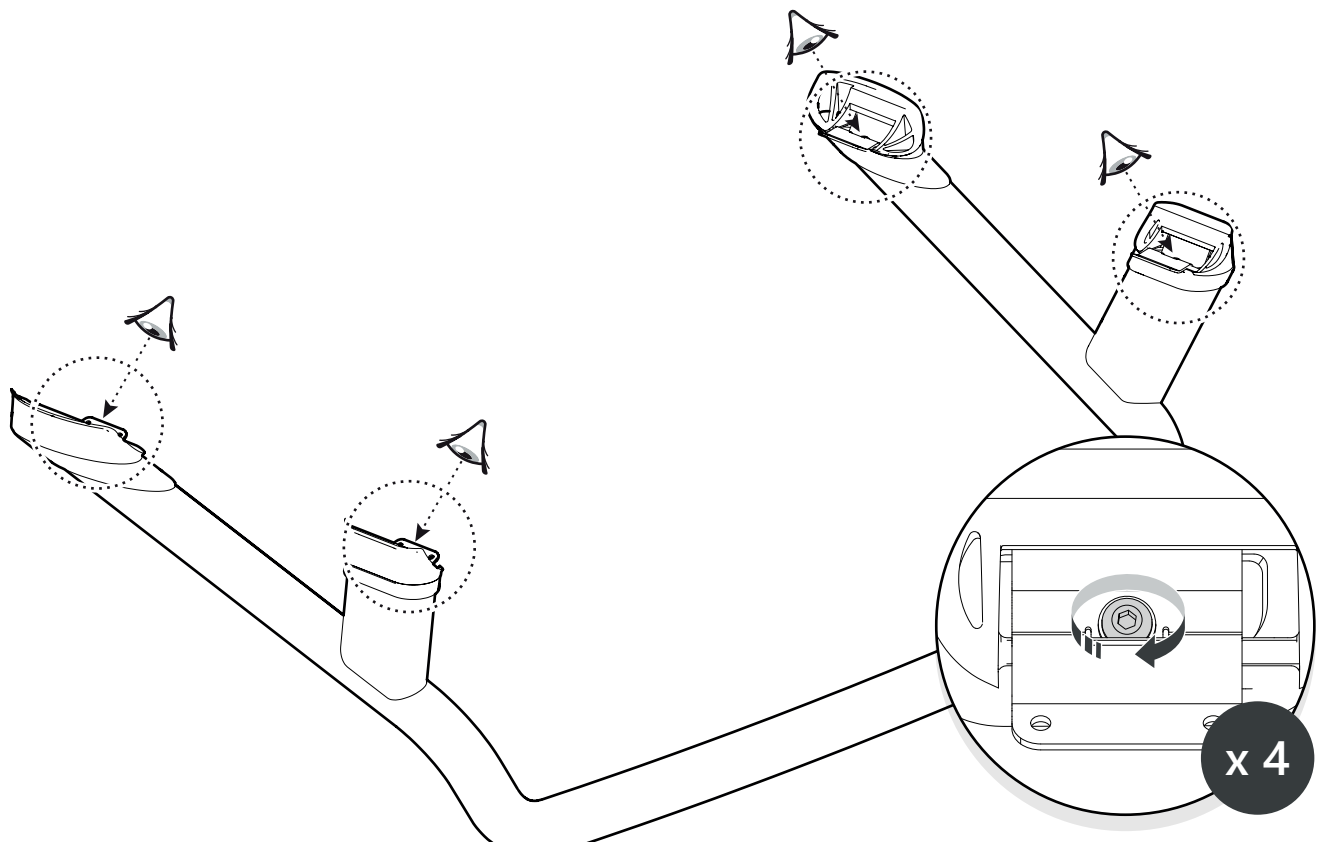
6mm

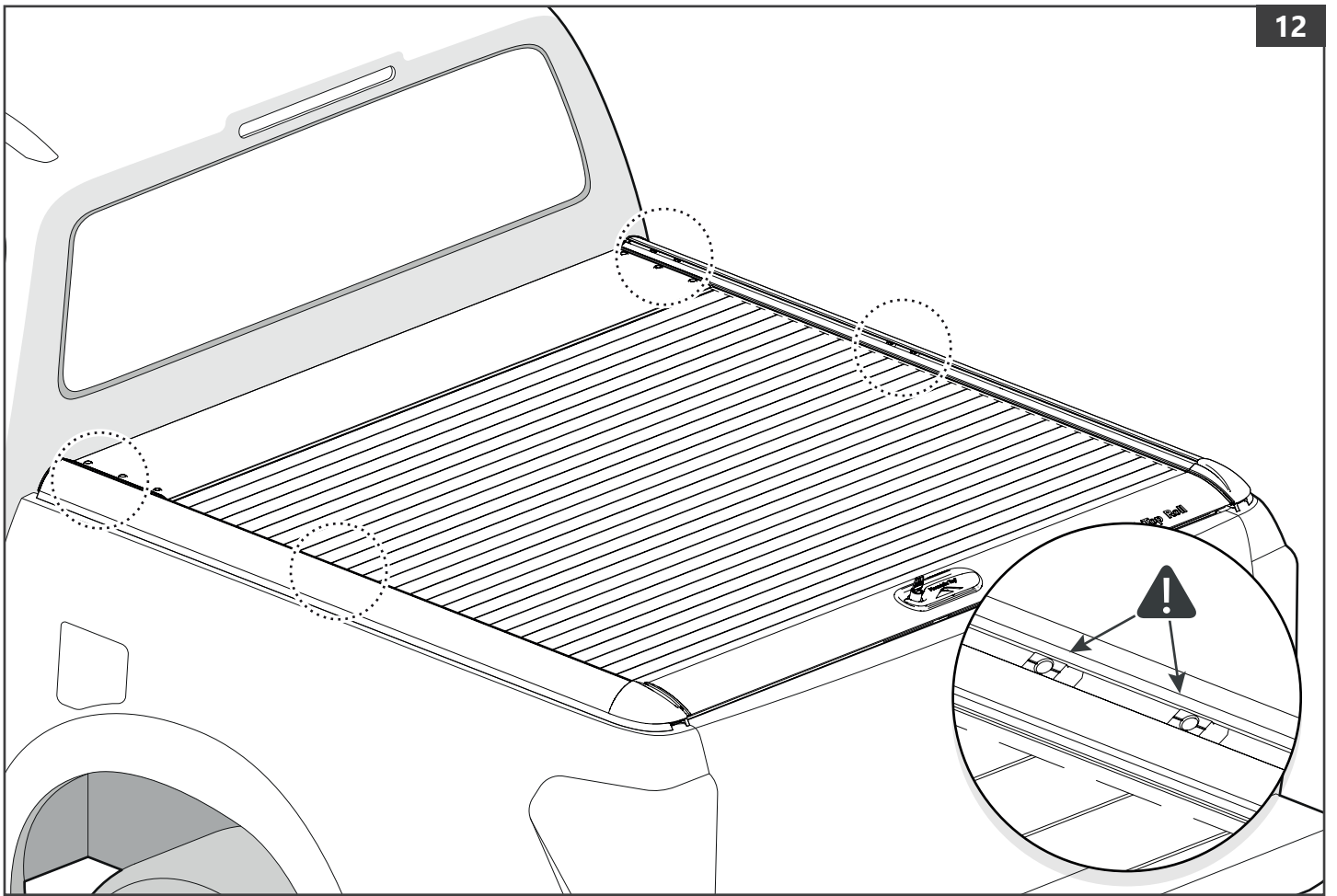
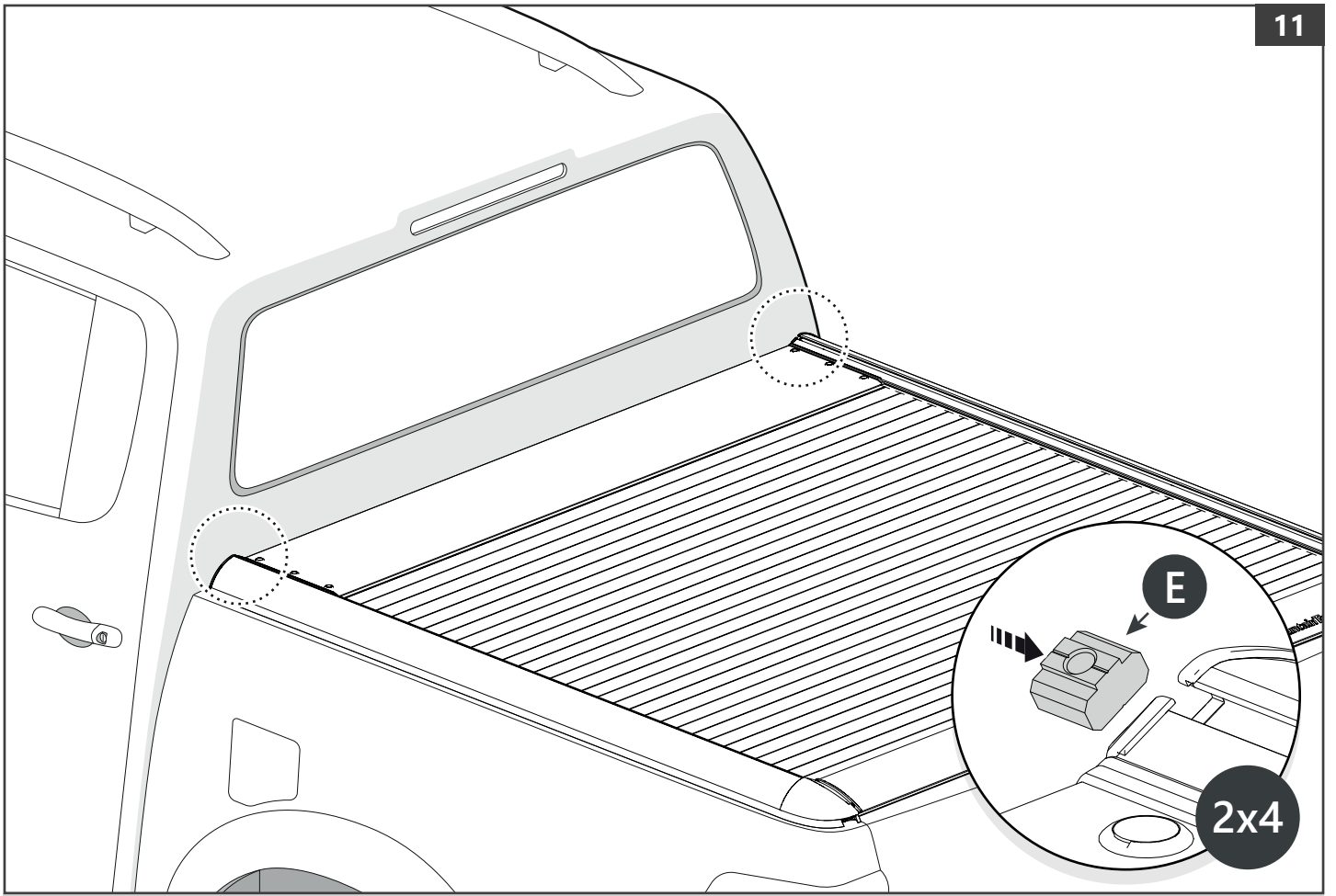


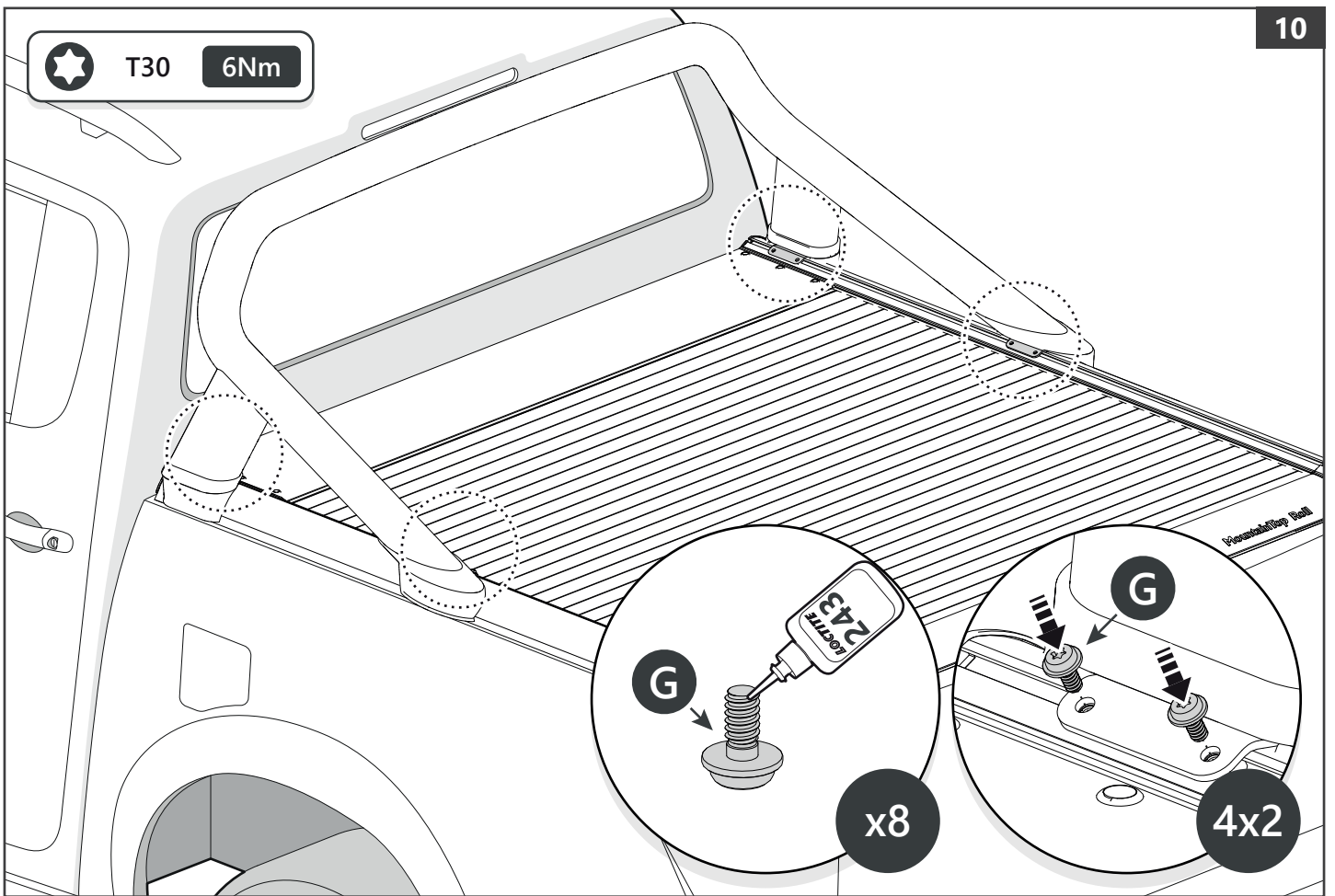
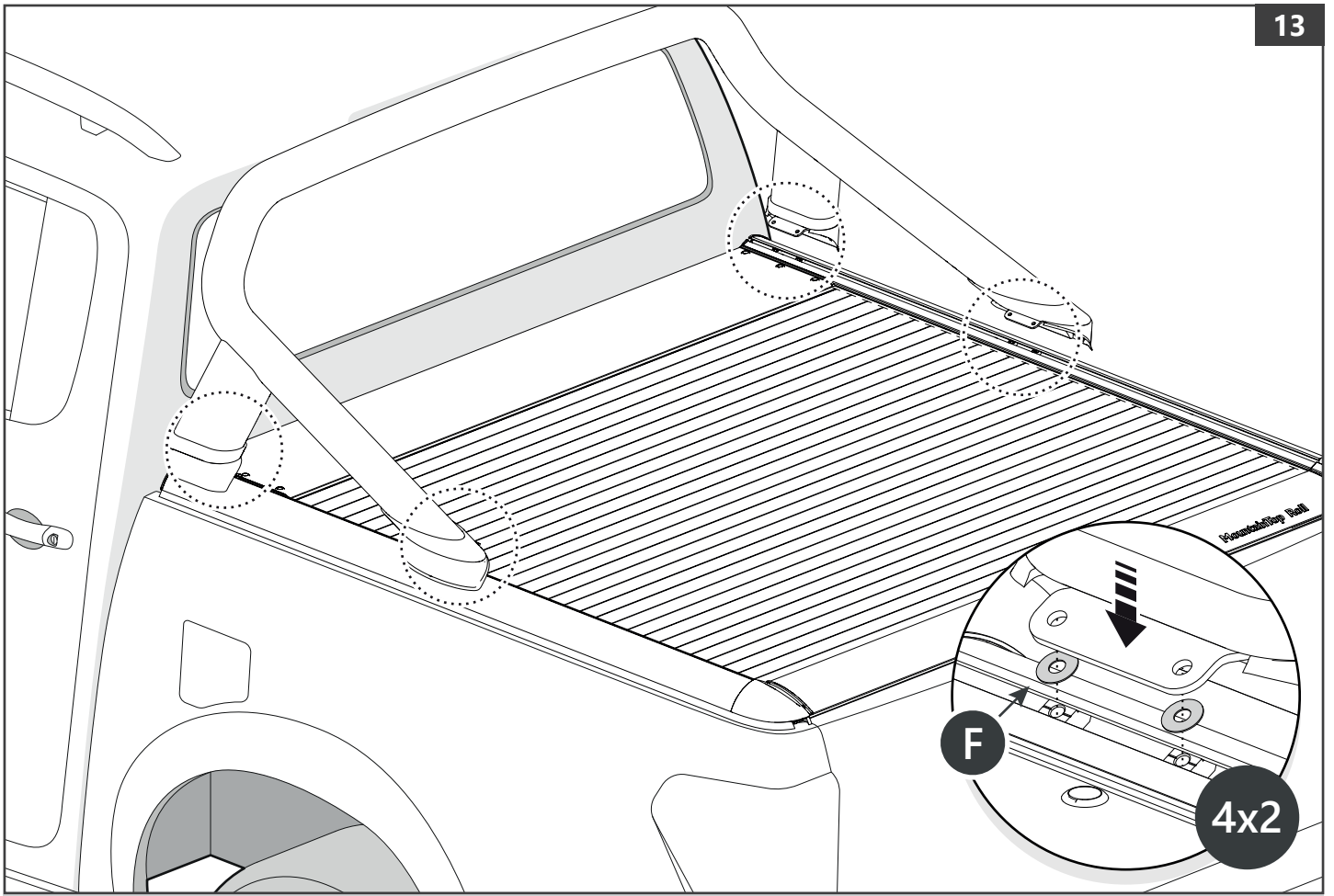




6mm 25Nm









Customer Service +45 4810 2950 (08:00 - 16:00 CET)
Fax +45 4810 2960
Support info@mountaintop.dk
Website www.mountaintop.dk
Address Pedersholmparken 10, 3600 Frederikssund, Denmark

PART NUMBER(S)	MODEL / YEAR	CAB TYPE(S)	INSTALLATION TIME	WEIGHT
SB 0050	Toyota / 2016 →	Double Cab / Extra Cab	1 hour(s)	1,5 Kg

GB Installation manual	S Monteringsanvisning	D Einbauanleitung
SF Asennusohje	E Instrucciones de montaje	CZ Návod k instalaci
F Notice de montage	H Szerelési utasítás	I Istruzioni de montaggio
PL Instrukcja montażu	P Instruções de instalação	GR Οδηγίες Εγκατάστασης
NL Installatie-instructies	RUS Инструкция по установке	DK Monteringsvejledning
TR Montaj Talimatı	N Monteringsveiledning	RO Instructiuni de instalare